

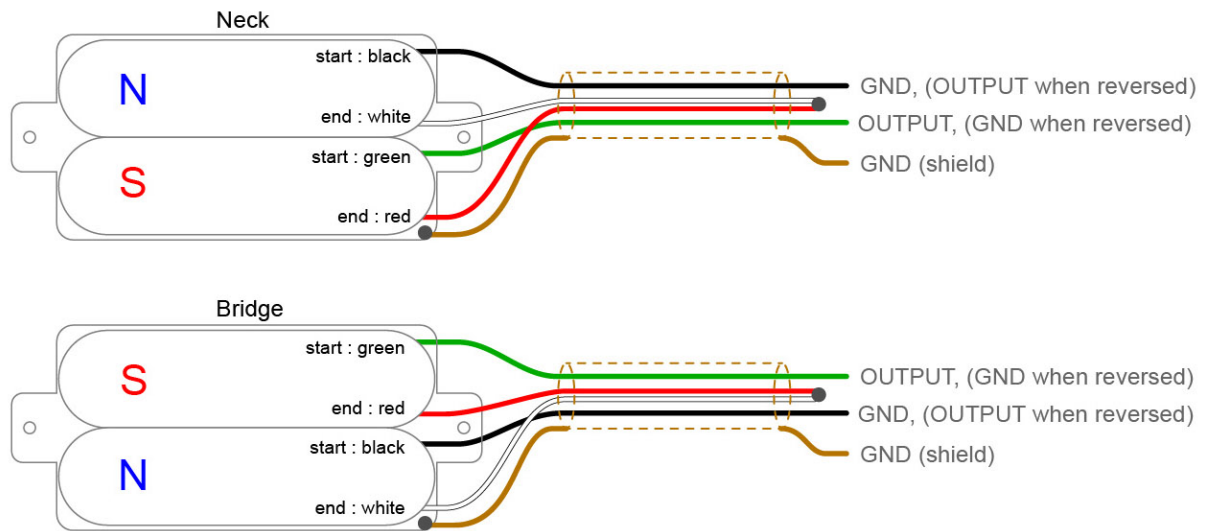
**Purpose of 4 conductor cable**

- Prevent weak signal when connect a CALIG humbucker with the other pickup that has unknown output polarity.

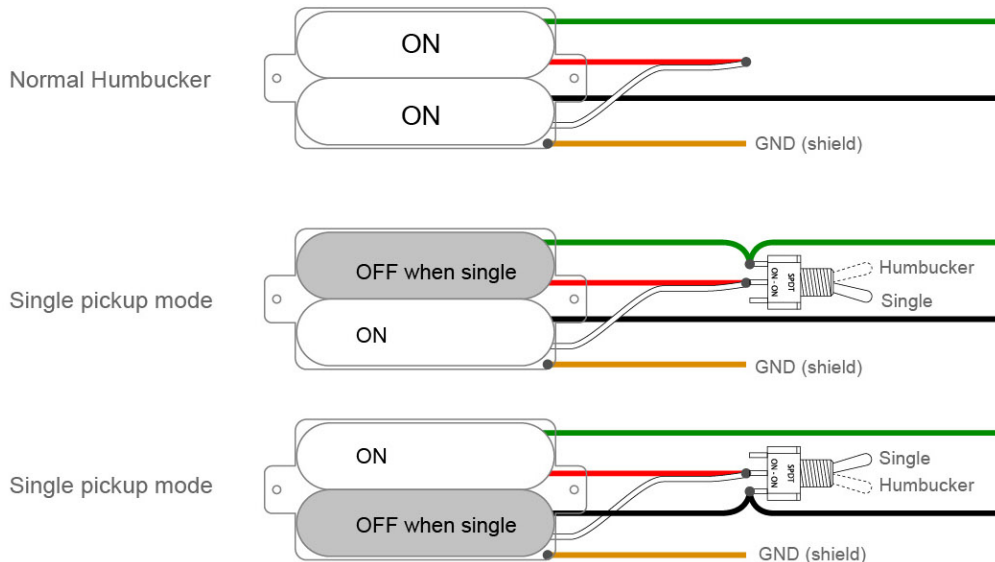
**Normal mode and Reverse mode**

- If your guitar makes weak sound when use two pickups, need to switch green and black to set reverse mode.
- When use one pickup only, Reverse mode makes same tone as Normal mode.

**Standard 4 conductor cable equipped CALIG humbucker set**



**Coil tab switch (use mini toggle switch)**



\* Hum noise is NOT canceled in single pickup mode